

# SKU621超宽带测距模组 规格书

## SKU621 UWB Ranging Module Datasheet

### 文档信息/Document information

标题/Title	SKU621 超宽带测距模组规格书 SKU621-UWB Ranging Module Datasheet
文档类型/Document type	规格书/Datasheet
文档编号/Document No.	SL-24020404
版本日期/Version & Date	V1.01 27-Sept-2023
秘密等级/Secret level	公开/ Open

## 历史版本 History

版本号/Version	更新内容/Content	制作人/Maker	日期/Date
V1.01	初始文档/Initial release	Sherman	20230927

This document applicable to the following products:

Product name	Type number	Product status
SKU621	TBD	Sample

SkyLab 保留对本文件和本文件所载信息的所有权利。本文所述的产品、名称、标识和外观设计可全部或部分受知识产权管辖。未经 SkyLab 明示许可，严禁复制、使用、修改或向第三方披露本文件或其任何部分。

此处包含的信息按“原样”提供，SkyLab 信息的使用不承担任何责任。对于信息的特定目的准确性，正确性，可靠性和适用性，不作任何明示或暗示的保证，包括但不限于此。本文档可由 SKYLAB 随时修改。有关最新文档，请访问 [www.skylab.com.cn](http://www.skylab.com.cn)。

版权(2024 年)，SkyLab M&C 技术有限公司。

SKYLAB®是 SkyLab M&C 技术有限公司在中国的注册商标。

SkyLab reserves all rights to this document and the information contained herein. Products, names, logos and designs described herein may in whole or in part be subject to intellectual property rights. Reproduction, use, modification or disclosure to third parties of this document or any part thereof without the express permission of SkyLab is strictly prohibited.

The information contained herein is provided “as is” and SkyLab assumes no liability for the use of the information. No warranty, either express or implied, is given, including but not limited, with respect to the accuracy, correctness, reliability and fitness for a particular purpose of the information. This document may be revised by SkyLab at any time. For most recent documents, visit [www.skylab.com.cn](http://www.skylab.com.cn).

Copyright © 2024, SkyLab M&C Technology Co., Ltd.

SKYLAB® is a registered trademark of SkyLab M&C Technology Co., Ltd in China

## 目录/Content

1. 产品介绍/Product information .....	4
2 模块应用 Applications .....	5
3 特点 Features .....	5
4.应用框图 Application Diagram .....	5
5.电气参数 Electrical Specification .....	6
5.1 正常工作条件 Nominal Operating Conditions .....	6
5.2 直流参数 DC Characteristics .....	6
5.3 信道频率参数 Channel Characteristic .....	7
5.4 接收灵敏度 Receiver Sensitivity Characteristics .....	7
5.5发射交流参数 Transmitter AC Characteristics .....	8
5.6 极限条件 Absolute Maximum Ratings .....	8
6 模块引脚介绍 Module Pinout and Pin Description .....	10
6.1 引脚分布 Module Pinout .....	10
6.2 引脚描述 Pin Description .....	10
7 参考设计原理图 Reference schematic design .....	13
8 PCB 封装和 Layout 指导 PCB Footprint and Layout notice .....	15
9 生产流程建议 Manufacturing Process Recommendations .....	17
10 包装信息 Packaging Specification .....	18
静电防护 ESD precautions .....	19
11 联系方式 Contact Information .....	20

## 1. 产品介绍/Product information

SKU621 是一款基于 UWB 的高精度测距模组。模组基于 Qorvo DW3220/DW3210 超宽带芯片，支持 IEEE802.15.4-2022 UWB 协议，并对射频链路增加了 FEM 提升其收发性能，让 SKU621 测距范围更广，远距离精度更高。

SKU621 is an UWB high precision ranging module. It use Qorvo's DW3220/DW3210 transceiver IC, which support IEEE 802.15.4-2011 UWB protocol. The module support PA and LNA in its RF chain in order to enhance its TX and RX performance. And it will result in larger coverage and higher precision.

SKU621 模块主控 IC 采用 nordic 蓝牙 5.0 芯片 nRF52840。模块采用 3 边半孔设计，开放了较多 IO 口，可以被配置成 UART、SPI、I2C、PWM 等接口，方便客户二次开发。

SKU621 module use nordic BLE 5.0 nRF52840 as MCU. And the module's 3-side-half-hole footprint support many GPIO pin out which can be configured into UART, SPI, I2C, PWM interface, which is convenient for secondary development of customers.



Figure 1.1 Physical Drawings

## 2 模块应用 Applications

- ◆ UWB 一维测距基站/UWB 1-dimension ranging anchor.
- ◆ UWB TWR 定位基站/UWB TWR positioning anchor
- ◆ UWB ranging or TWR positioning Tags
- ◆ 苹果 11~13 系列手机互动寻物标签/iPhone 11~13 series Interactive Search Tag

## 3 特点 Features

- ◆ 静态测距精度 10cm / Static ranging accuracy up to 10cm.
- ◆ 最大 6.8Mbps 数据传输速率 / 6.8 Mbps Max data rate.
- ◆ 可视范围 200m 以上测距距离 / 200 m+ line-of-sight range typical.
- ◆ IEEE 802.15.4-2022 UWB compliant.
- ◆ 蓝牙 5.1 芯片 nRF52840 / BLE 5.1 chip nRF52840.
- ◆ 尺寸 Size:22.5x19x2.5mm (不含屏蔽盖 No shield cover, 不含 UFL 射频头 No UFL connector) .

## 4.应用框图 Application Diagram

SKU621 由主芯片 nRF52840+UWB 射频芯片 DW3220/DW3210 组成

SKU621 use nRF52840 as main control chip, and DW3210 as UWB transceiver chip.

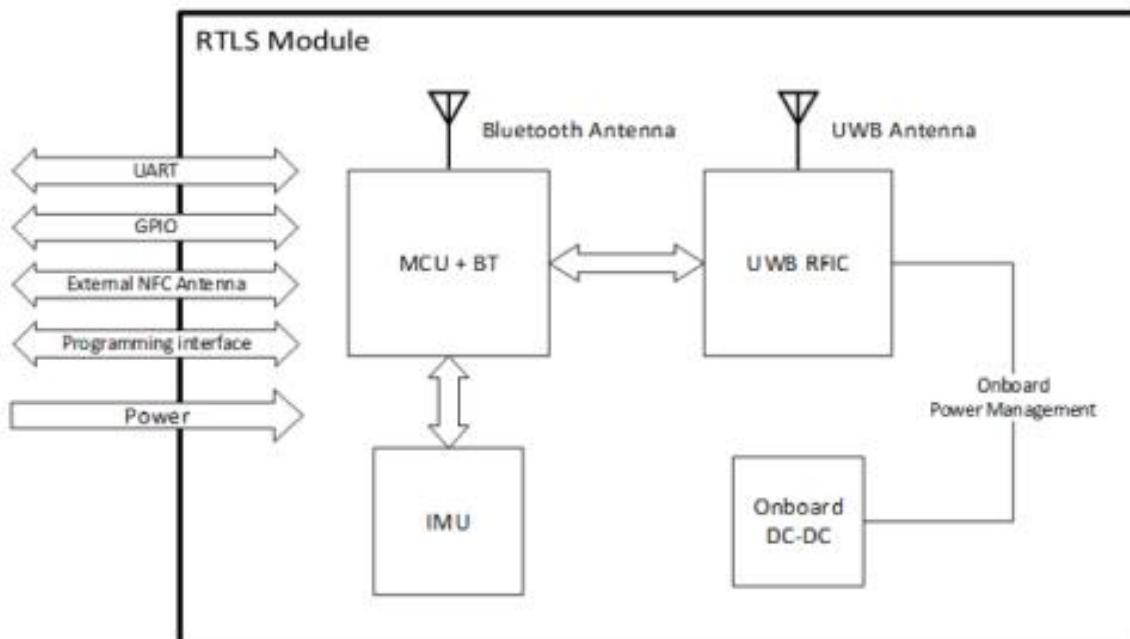


Figure 4.1 SKU621 Diagram

## 5.电气参数 Electrical Specification

下述表格给出来 SKU621 的电气参数默认条件是室温 25℃，除非特别标出温度范围。

The following tables give detailed specifications for the SKU621 module. Tamb = 25 °C for all specifications given.

### 5.1 正常工作条件 Nominal Operating Conditions

Parameter	Min.	Typ.	MAX.	Units	Condition/Note
工作温度 Operating temperature	-40		+85	°C	
电源电压 Supply voltage VCC	3.4	4.2	5.5	V	
IO 口电压 Voltage on VDDIO	3.0	3.3	3.6	V	

Table 5-1: SKU621 Operating Conditions

### 5.2 直流参数 DC Characteristics

Parameter	Min.	Typ.	Max.	Units	Condition/Note
休眠电流 Sleep current		TBD		μA	
发射封装电流 TX peak current		TBD		mA	
接收电流 RX peak current		TBD		mA	
蓝牙扫描模式电流 Current in Bluetooth® discovery mode		TBD		mA	
IO 电压高电平 IO voltage high	0.7VCC		VCC+0.3	V	
IO 电压低电平	-0.3		0.3VCC	V	

IO voltage low					
----------------	--	--	--	--	--

**Table5-2: SKU621 Receiver DC Characteristics**

注：TBD 项可能因固件配置不同而不同，如发射电流受到增益的影响比较大。

Note: TBD item may differ from firmware configuration, for example, TX peak current depend mostly on TX gain.

### 5.3 信道频率参数 Channel Characteristic

UWB Channel Number	Centre Frequency (MHz)	Bandwidth (MHz)
5	6489.6	499.2
9	7987.2	499.2

**Table 5-3: SKU621 Channel Frequency Characteristic**

### 5.4 接收灵敏度 Receiver Sensitivity Characteristics

测试条件 25°C，20 字节 payload 长度。

Tamb = 25 °C, 20 byte payload.

丢包率 Packet Error Rate	数据速率 Data Rate	接收灵敏度 Receiver Sensitivity	单位 Units	测试条件备注 Condition/Note		
1%	6.8 Mbps	TBD	dBm/500 MHz	Preamble 128	Carrier frequency offset ±10 ppm	所以测试基于通道 5, PRF64MHz All measurements performed on Channel 5, PRF 64 MHz
10%	6.8 Mbps	TBD	dBm/500 MHz	Preamble 128		

**Table 5-4: SKU621 Typical Receiver Sensitivity Characteristics**

\*智能发射增益使能后的等效灵敏度。标准固件默认打开。

\*equivalent sensitivity with Smart TX Power enabled. This is enabled in the onboard firmware.

## 5.5 发射交流参数 Transmitter AC Characteristics

参数 Parameter	最小值 Min.	典型值 Typ.	最大值 Max.	单位 Units	备注/Note
Output power spectral density		-41*	-10	dBm/MHz	默认软件采用典型功率 Typical power is used as default
Output Channel Power		-14	13	dBm/500MHz	

Table 5-5: SKU621Transmitter AC Characteristics

\*如果使用预先集成到模块中的软件 If using the pre-loaded embedded firmware of the SKU621 module

## 5.6 极限条件 Absolute Maximum Ratings

参数 Parameter	Min.	Max.	Units
接收电平 Receiver power		TBD	dBm
存储温度 Temperature - Storage temperature	-40	+125	°C
使用温度 Temperature - Operating temperature	-40	+85	°C
人体静电模型 ESD (Human Body Model)	-2000	2000	V

Table 5-6: SKU621Absolute Maximum Ratings

超出上述电压、功率、温度范围时，可能会导致模块永久失效。上述仅仅是极限参数，正常工作范围外极限范围内的操作条件本规格书不提供保证。长时间暴露在这些条件下可能影响到设备的可靠性。



Stresses beyond those listed in this table may cause permanent damage to the device. This is a stress rating only; functional operation of the device at these or any other conditions beyond those indicated in the operating conditions of the specification is not implied. Exposure to the absolute maximum rating conditions for extended periods may affect device reliability.

## 6 模块引脚介绍 Module Pinout and Pin Description

### 6.1 引脚分布 Module Pinout

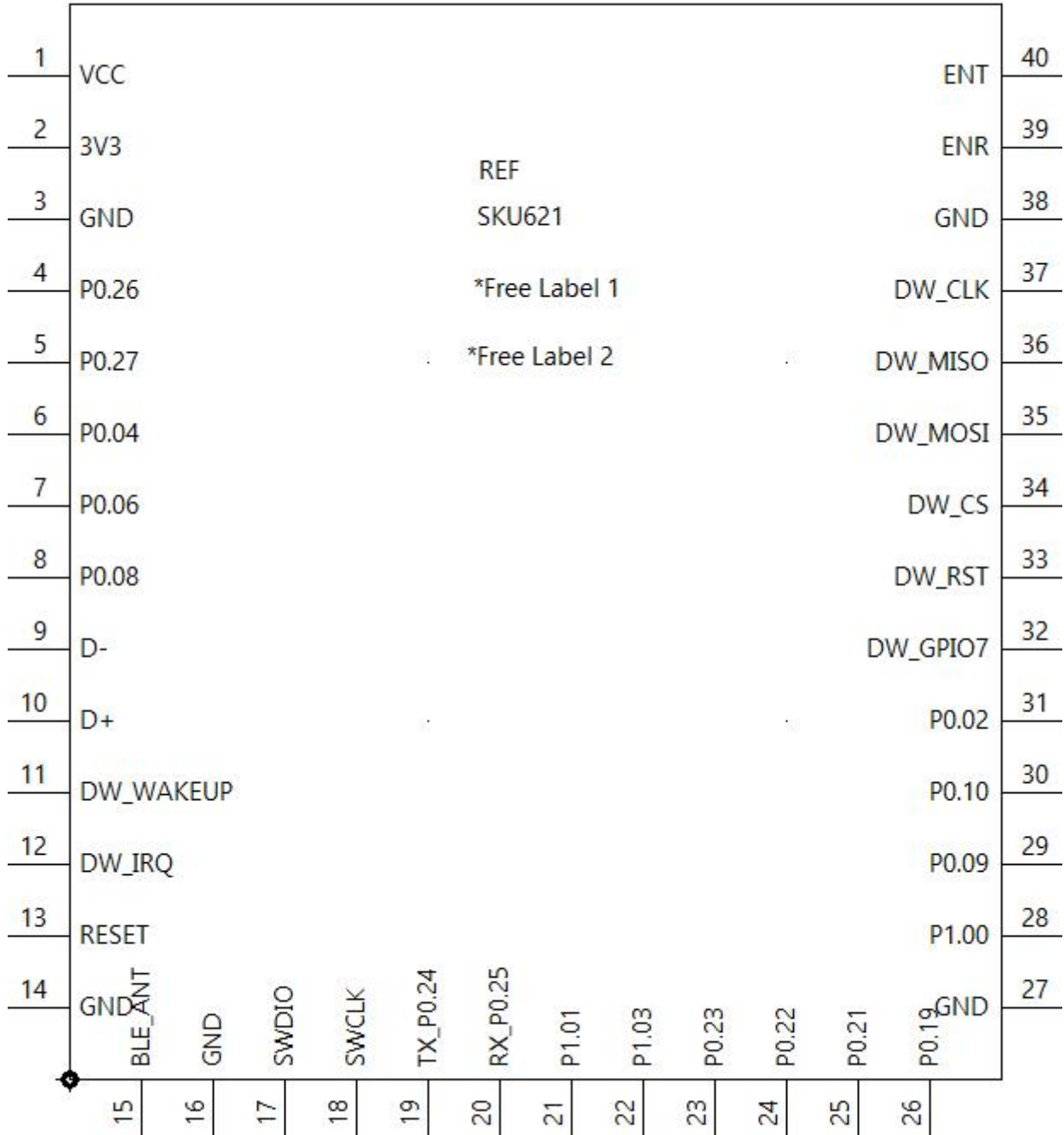


Figure 6-1: SKU621Module Pinout (TOP View)

### 6.2 引脚描述 Pin Description

Pin	Pin Name	I/O	Description
1	VCC	PI	电源输入 3.4V~5V Power Input.



- (3) DI:Digital Input 数字输入;
- (4) DO:Digital Output 数字输出;
- (5) AI: Analog Input 模拟输入;
- (6) AO: Analog Output 模拟输出
- (7) DIO:Digital Input/Output 数字输入/输出;
- (8) AIO: Analog Input / Output 模拟输入/输出
- (9) G:Ground 接地

**DW3210** 的与 **nRF52840** 相连如下:

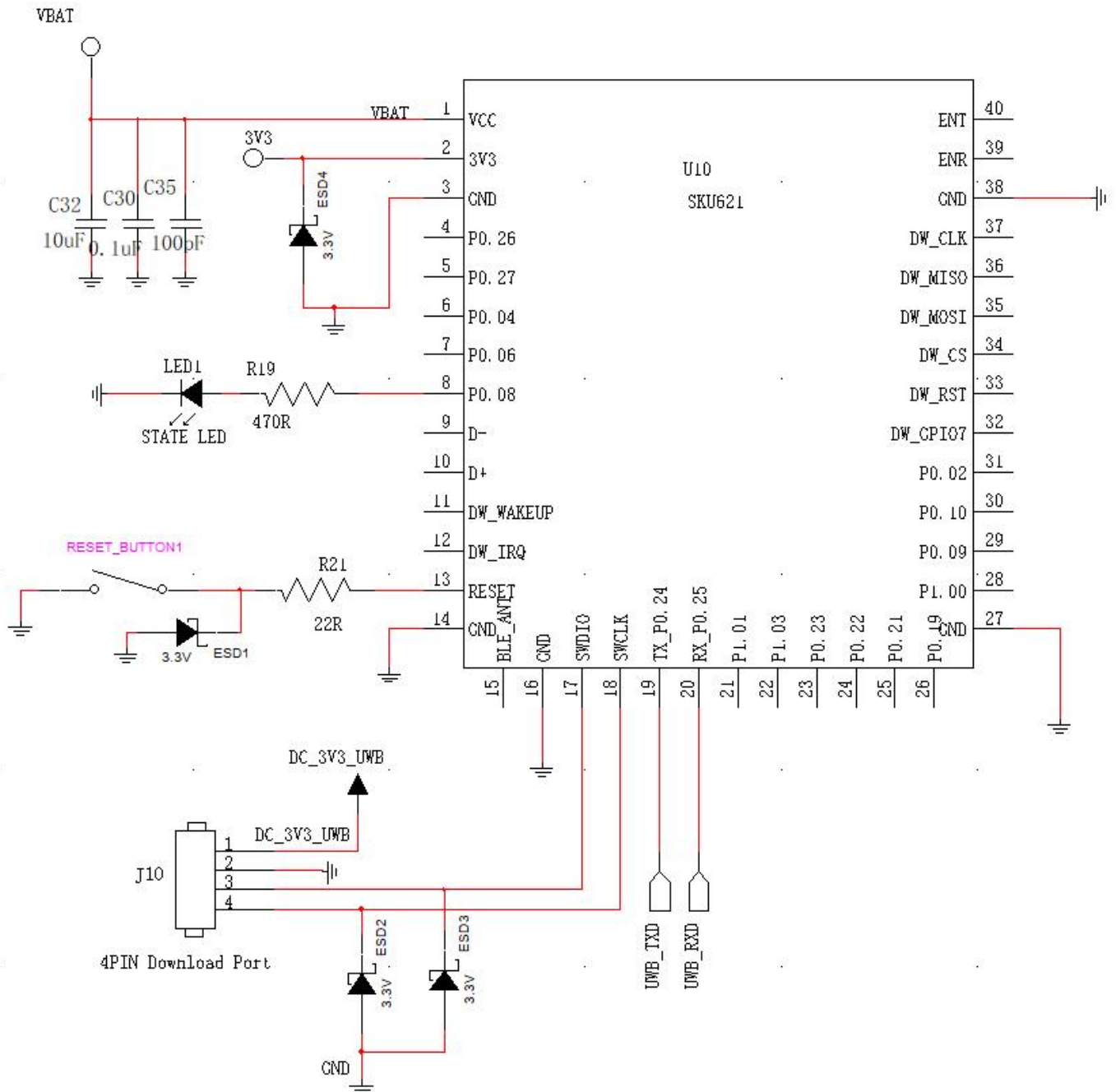
**DW3210's SPI is connected to nRF52840 GPIO like below:**

nRF52840 Pin	Function
P1.10	DW_IRQ
P1.15	DW_SCK
P1.13	DW_MOSI
P1.14	DW_MISO
P1.12	DW_SPI_CS
P1.08	DW_RST
P1.11	WAKEUP

Table 6-2: Internal nRF52840 pins used and their function

## 7 参考设计原理图 Reference schematic design

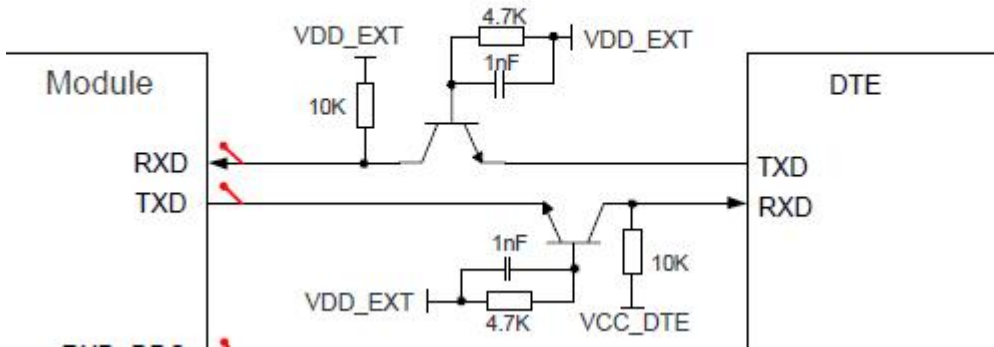
我司针对如下参考设计原理图（我司 DEMO 板的最小系统）可以提供 demo 软件，含数据协议。如果自行更改 IO 口功能需要走定制软件流程，不推荐。



备注:

1. UWB\_TXD, UWB\_RXD 为 3.3V TTL 电平,如需电平转换可以参考如下电平转换电路:

UWB\_TXD,UWB\_RXD is 3.3V TTL voltage level. If you need voltage shift please refer to the circuit below:



2. 为防止静电对模块造成损害，请把使用到的有可能外露的 IO 口增加 ESD 保护器件；

Please reserve ESD protect circuit to all pins you might used or exposed.

3. 为方便调试，请把 Jlink 下载口接出 4pin 2.54 排针，方便烧录软件。

Please reserve a 2.54mm pitch 4 pin needle holes for downloading firmware using Jlink.

## 8 PCB 封装和 Layout 指导 PCB Footprint and Layout notice

我司提供 PADS VX2.4, CAD 格式的封装，如有需要，请联系技术支持。建议 Layout 时，发给技术支持 Review 下。

We can supply footprint in PADS VX2.4,Auto CAD2010 format. And we can help review your design when you finish SKU621 layout. Please contact tech-support team for further information.

PCB 封装参考如下：

PCB footprint is as follows:

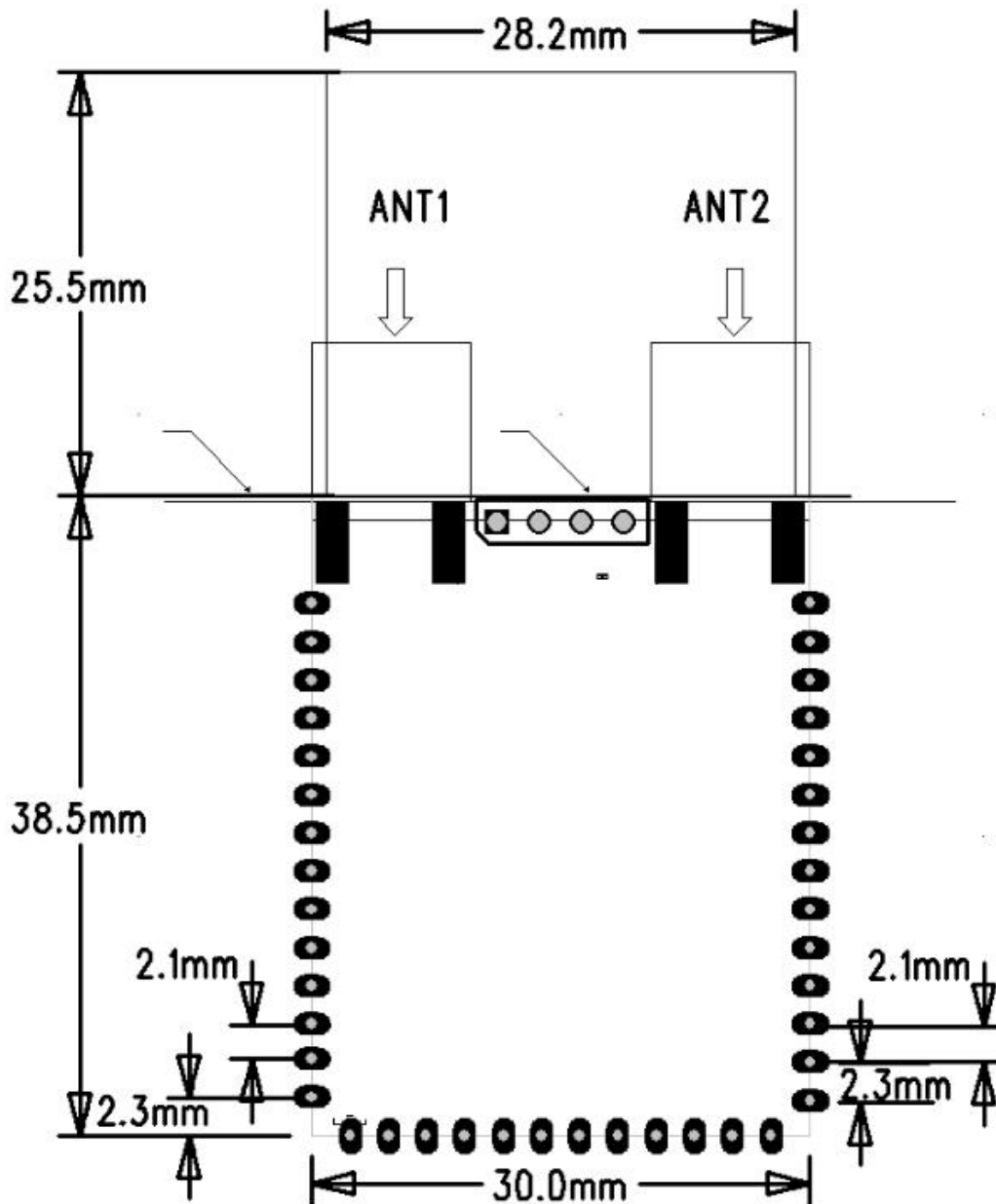


Figure 8-1: SKU621 PCB Footprint and Dimensions(units: mm)

注 Notice:

1. 上方等腰梯形区域为焊接式 PCB 片状天线，当使用片状天线时，其对应区域及左右两侧不得有地平面或者其他起屏蔽效应的结构件。

The isosceles trapezoid PCB antenna area is copper forbidden, when using the soldering PCB antenna(SKU621-P). And the nearing left and right and up area of the antenna cannot have ground component like shield cover.

2. 使用 SMA 外接天线时，SMA 对应下方 PCB 板应镂空，或者把模块 SMA 头伸出 PCB 板外。

When using SMA to connect external antenna(SKU621-E), the PCB below SMA should be cut or put the SMA side out of your PCB.

3. Pin 间距默认 2.3mm，除非下图特殊标出；焊盘为标准跑道型结构（两个直径 1.4mm 半圆被长 1.4，宽 0.9mm 矩形隔开）。

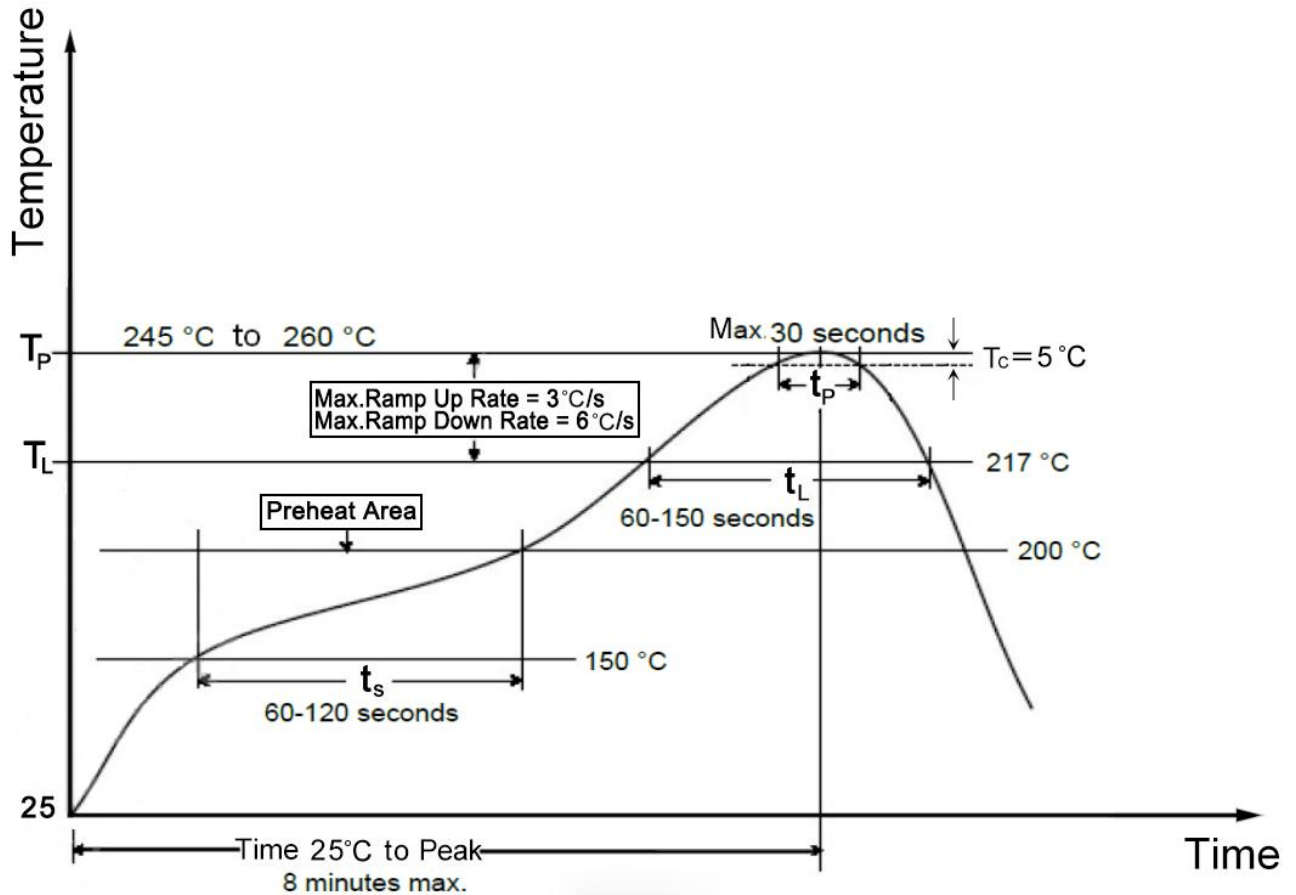
The pin pitch is default 2.3mm unless remarked on the next figure; The pin is standard racetrack shape (two half circle whose diameter is 1.4mm, isolated by a 1.4mm\*0.9mm rectangle).

4. 默认搭配天线型号为 UWA08，尺寸为 24.5\*28.2\*0.6mm（不含连接排针）

The default antenna model is UWA08, with dimensions of 24.5 \* 28.2 \* 0.6mm (excluding connecting pins)



## 9 生产流程建议 Manufacturing Process Recommendations

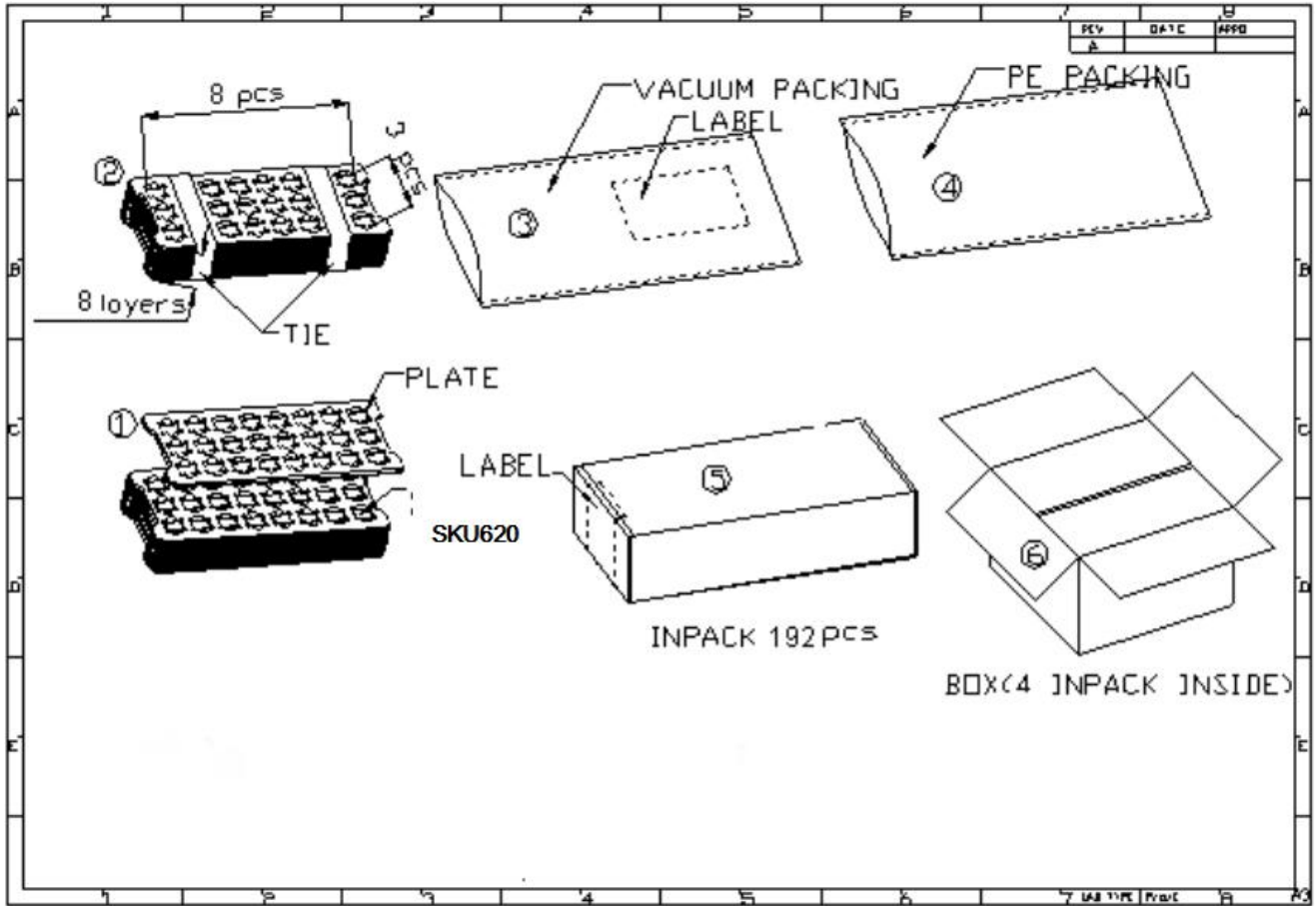


**Figure 9-1: SKU621 Typical Lead-free Soldering Profile 无铅回流焊接炉温曲线**

注：在工厂选择的最终回流焊接温度图取决于其他外部因素，例如焊接膏的选择、模块基板的尺寸、厚度和性能等。超过推荐焊接曲线中的最高焊接温度可能会永久损坏模块。

Note: The final re-flow soldering temperature map chosen at the factory depends on additional external factors, for example, choice of soldering paste, size, thickness and properties of the module's baseboard etc. Exceeding the maximum soldering temperature in the recommended soldering profile may permanently damage the module.

## 10 包装信息 Packaging Specification



**Figure10-1: SKU621 Packaging**

SKU621-E 模组被放入托盘，每个托盘 528 个单元。每个托盘都是“干燥”和真空包装的。

SKU621 modules are put into tray and 528 units per tray. Each tray is 'dry' and vacuum packaging.

## 静电防护 ESD precautions



SKU621 模块包含高度敏感的电子电路，属于静电敏感器件(ESD)。在没有适当的静电放电保护的情况下使用 SKU621 模块可能会永久的破坏或损坏它们。

SKU621 模块是静电敏感器件，需要适用于静电敏感元件特殊的静电防护措施，正确的 ESD 处理和包装流程必须应用在使用 SKU621 模块的过程中，包括处理、运输和操作包含 SKU621 模块的任何应用程序。不可裸手触摸模块或用不防静电烙铁焊接，以免损坏模块。

SKU621 series modules are Electrostatic Sensitive Devices and require special precautions while handling.

The SKU621 modules contain highly sensitive electronic circuitry and are Electrostatic Sensitive Devices (ESD). Handling the SKU621 modules without proper ESD protection may destroy or damage them permanently.

The SKU621 modules are electrostatic sensitive devices (ESD) and require special ESD precautions typically applied to ESD sensitive components. Proper ESD handling and packaging procedures must be applied throughout the processing, handling, transportation and operation of any application that incorporates the SKU621 module. Don't touch the module by hand or solder with non-anti-static soldering iron to avoid damage to the module.

## 11 联系方式 Contact Information

**SkyLab M&C Technology Co., Ltd.**

深圳市天工测控技术有限公司

**地址:** 深圳市龙华区福城街道鸿创科技中心6栋11楼

**Address:** 11th Floor, Building 6, Hongchuang Science and Technology Center, Fucheng Street,  
Longhua District, Shenzhen, Guangdong, China

**电话/Phone:** 86-755 8340 8210 (Sales Support)

**电话/Phone:** 86-755 8340 8510 (Technical Support)

**传真/Fax:** 86-755-8340 8560

**邮箱/E-Mail:** [technicalsupport@skylab.com.cn](mailto:technicalsupport@skylab.com.cn)

**网站/Website:** [www.skylab.com.cn](http://www.skylab.com.cn)    [www.skylabmodule.com](http://www.skylabmodule.com)